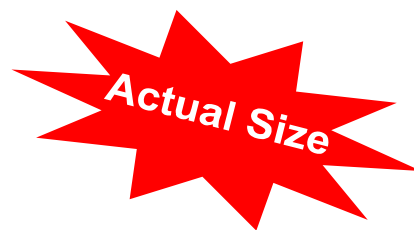
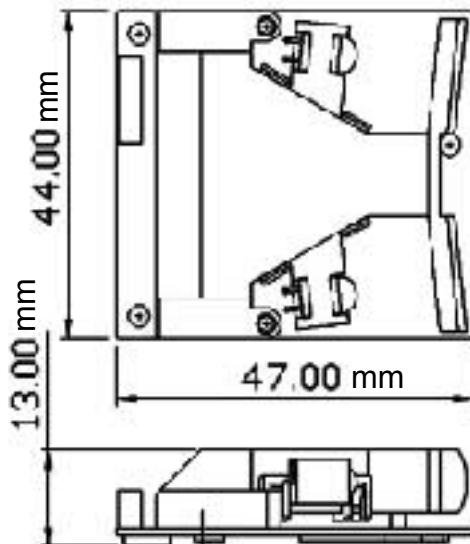


1400 Series Linear Imaging Modules



CipherLab's new 1400 series of Linear Imaging Modules deliver the speed of true 100 scans/second scanning and decoding using the latest 16 bit Microprocessor. These modules are slim line with no moving parts. The modules have Flash memory making software upgrades a breeze. They feature long range scanning for most applications and incorporate many features including data editing and Auto-sense mode. The modules deliver decoded output through a CMOS RS232 interface ideal for integration into most types of equipment and terminals.

1400 Series Linear Imaging Modules

Specifications

Models	1400	1410	1420
Electrical			
Working voltage (V)	5V ± 10%	3.3V ± 10%	5V ± 10%
Typical operating current (mA)	<72mA	<67mA	<73mA
Standby current (mA)	<10mA	<5mA	<8mA
CPU	16-bit CMOS CPU		
Memory	128 Kbyte flash memory		

Environmental	
Operating temperature(°C)	0°C ~ 50°C Industrial upon request
Storage temperature(°C)	-20°C ~ 60°C Industrial upon request
Operating humidity	10~90% non-condensing
Storage humidity	0~95% non-condensing

Physical	
Weight	20g
Dimensions	47 X 44 X 13 mm

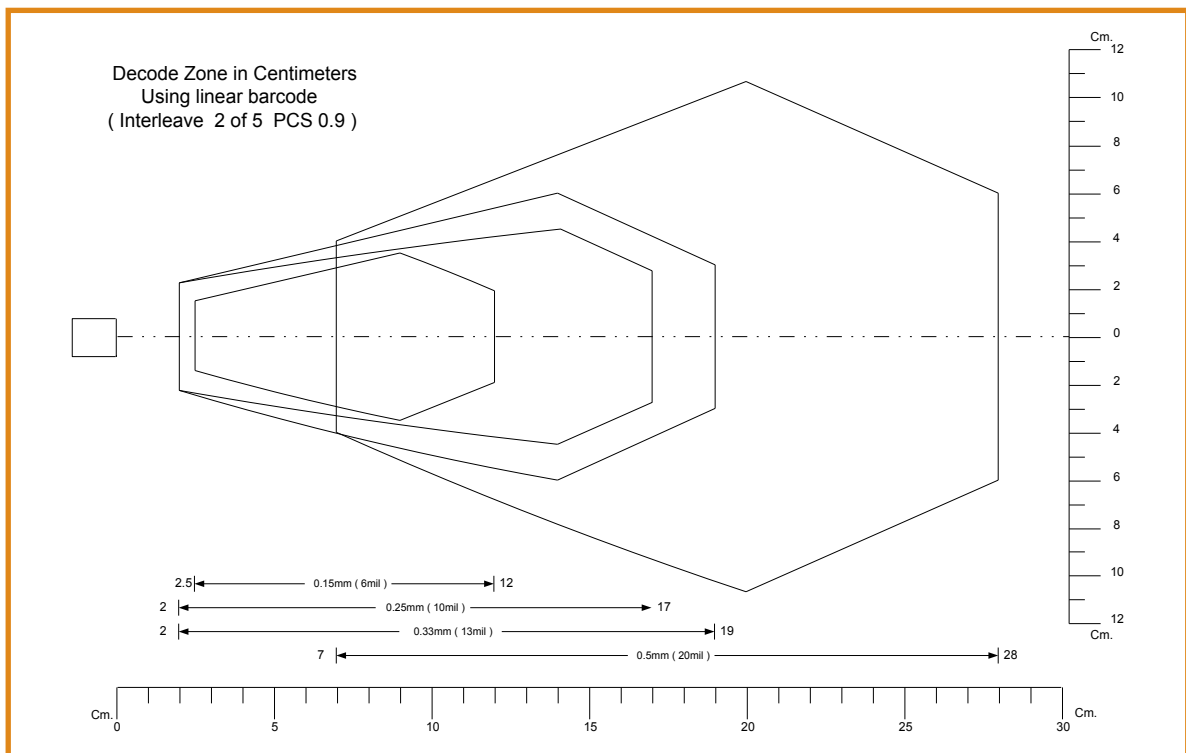
Optical			
Light source	630 nm Red LED		
Resolution	up to 0.125 mm (5 mil)		
PCS	up to 0.45		
Scan rate	100 scans/sec		
Ambient light rejection	2000 lux fluroescent, 1000 lux sun light		
CCD sensors	2048 pixels	3648 pixels	3648 pixels

Symbology Supported	
Code 39/Full ASCII, CodaBar, Pharma Code, Industrial 2 of 5, Matrix 2 of 5, Interleave 2 of 5, Code 93, Code 128, EAN 128, MSI, EAN 8 & 13, UPCA & E, Plessey, RSS	

Interface	
CMOS RS232, 1.25 mm pitch 8-pin connector	

Features	
data editing mode, good read & buzzer driving signals, AUTOSENSE Mode, external trigger Flash memory for in-field software upgrade, Scan Manager set-up available	

* Specifications - subject to change without notice.



Headquarters
Syntech Information Co., Ltd.
 5F, No. 196-3, Ta-Tung Road,
 Sec. 3, Hsi-Chih,
 Taipei Hsien, Taiwan
 TEL: +886 2 8647 3300
 FAX: +886 2 8647 1155
 www.cipherlab.com.tw

USA
Syntech West Inc.
 3404 57th Street NW Suite B
 Gig Harbor, WA 98335
 U.S.A.
 TEL: +1 253 858 7906
 FAX: +1 253 858 7713
 www.cipherlab.com